
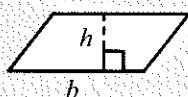
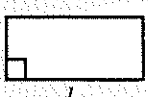
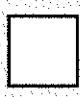
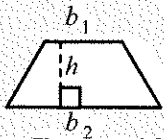



Lesson 7T ~ Composite Figures

Name _____ Period _____ Date _____

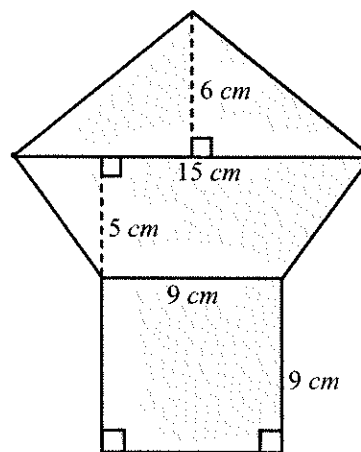
 Triangle $A = \frac{1}{2}bh$	 Parallelogram $A = bh$	 Rectangle $A = lw$	 Square $A = lw \text{ or } s^2$	 Trapezoid $A = \frac{1}{2}h(b_1 + b_2)$	 Circle $A = \pi r^2$
---	---	---	--	--	---

1. Find the total area of the shaded figure.

a. Draw each individual shape that makes the figure.

b. Label the needed measures on each shape in **part a**.

c. Find the area of each shape.



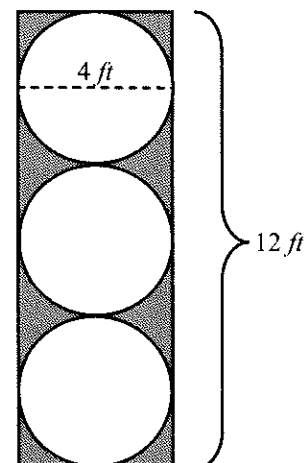
d. To find the total area of the shaded figure, add all the areas together.

2. Find the area of the shaded region.

a. Draw each shape that makes the figure.

b. Label the needed measures on each figure in **part a**.

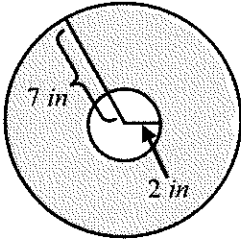
c. Find the area of each figure. Use 3.14 for π .



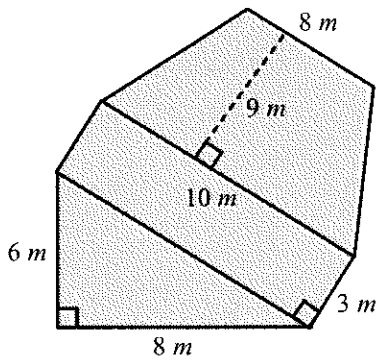
d. To find the area of the shaded region subtract the area of the three circles from the area of the rectangle.

Find the area of each shaded region. Use 3.14 for π .

3.



4.



5.

